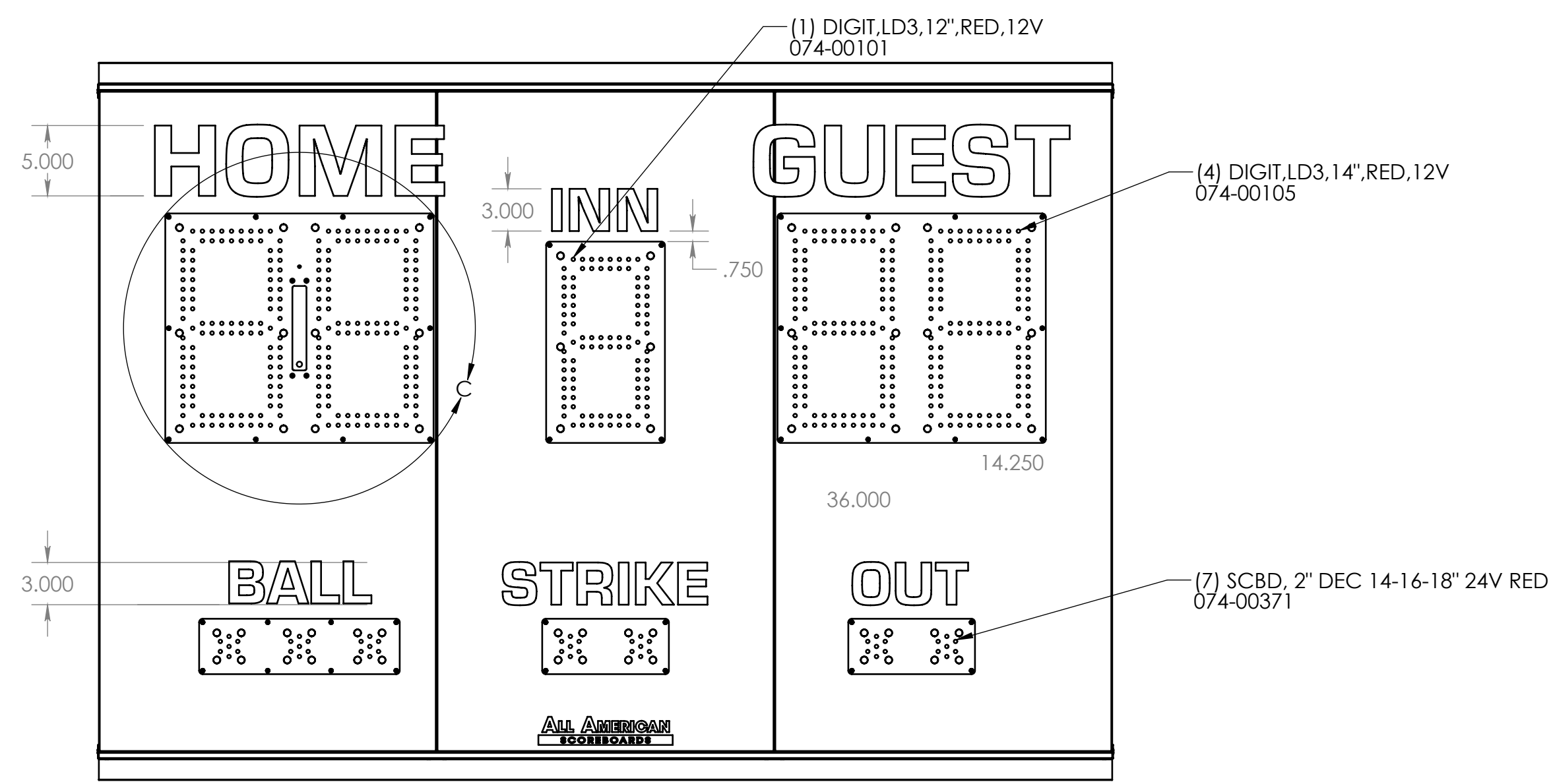
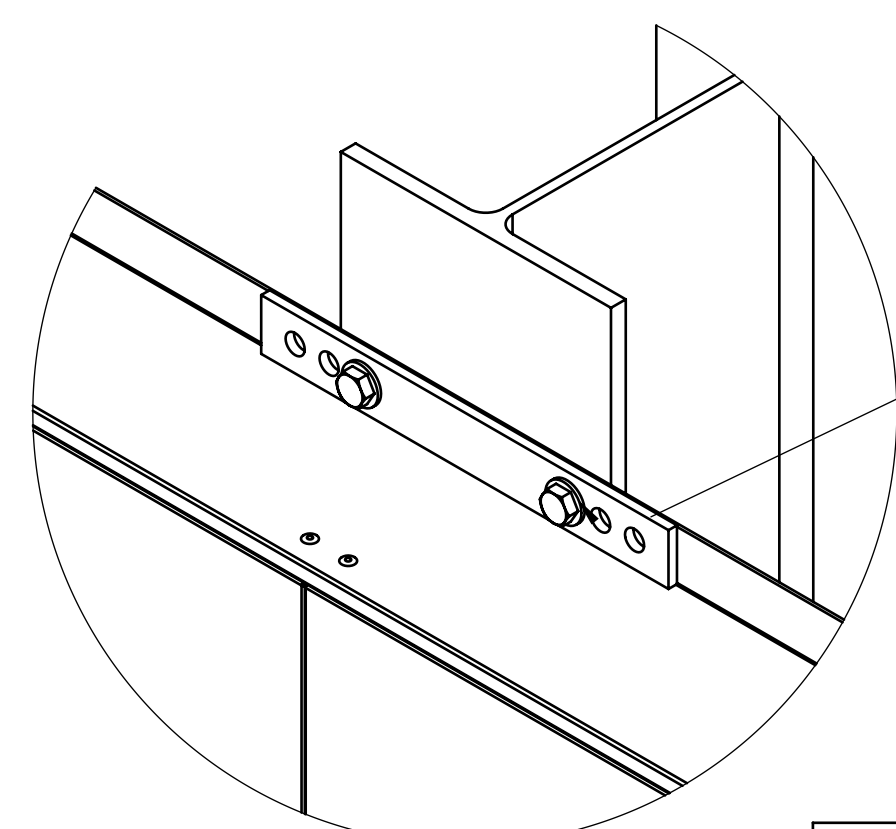
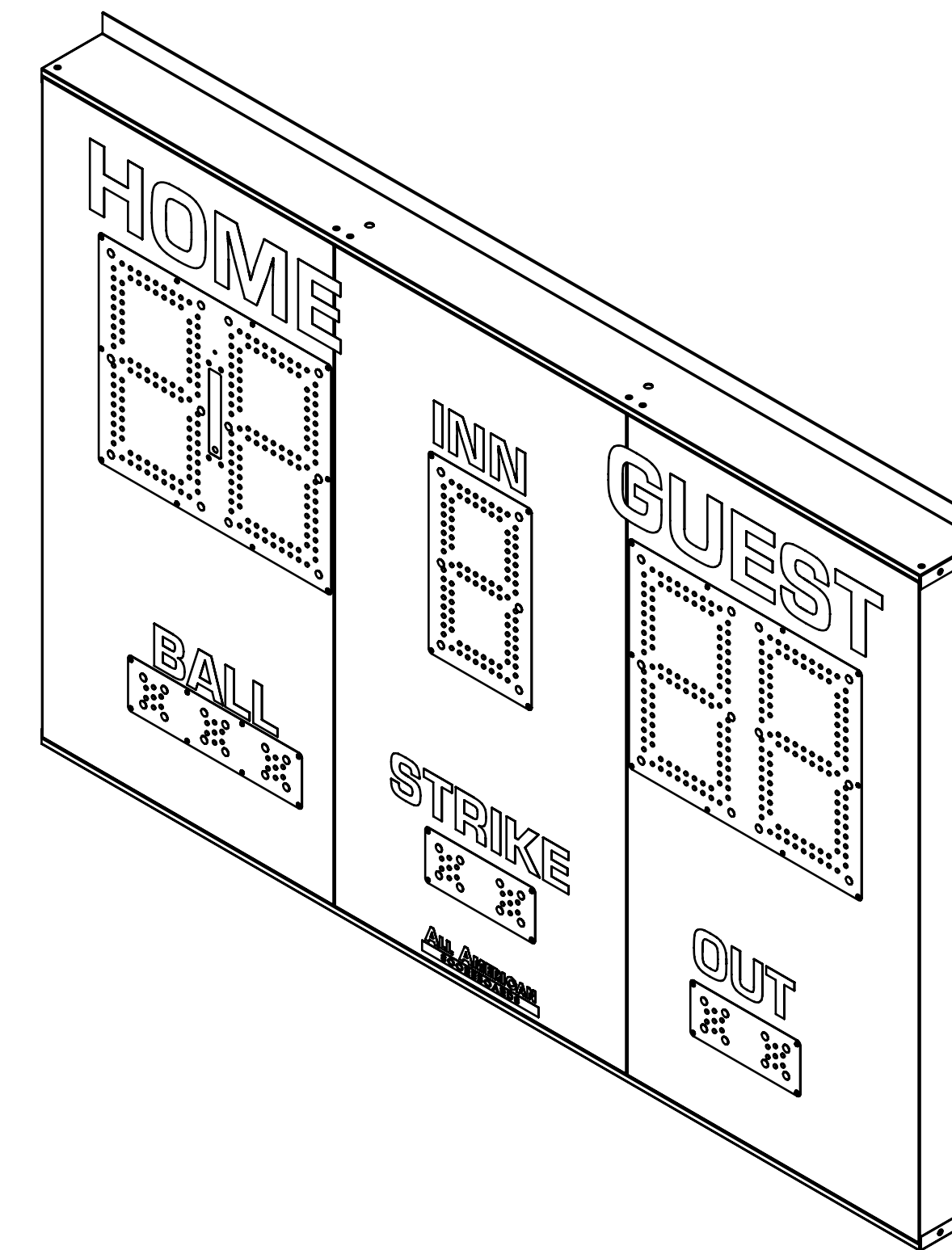


FRONT VIEW



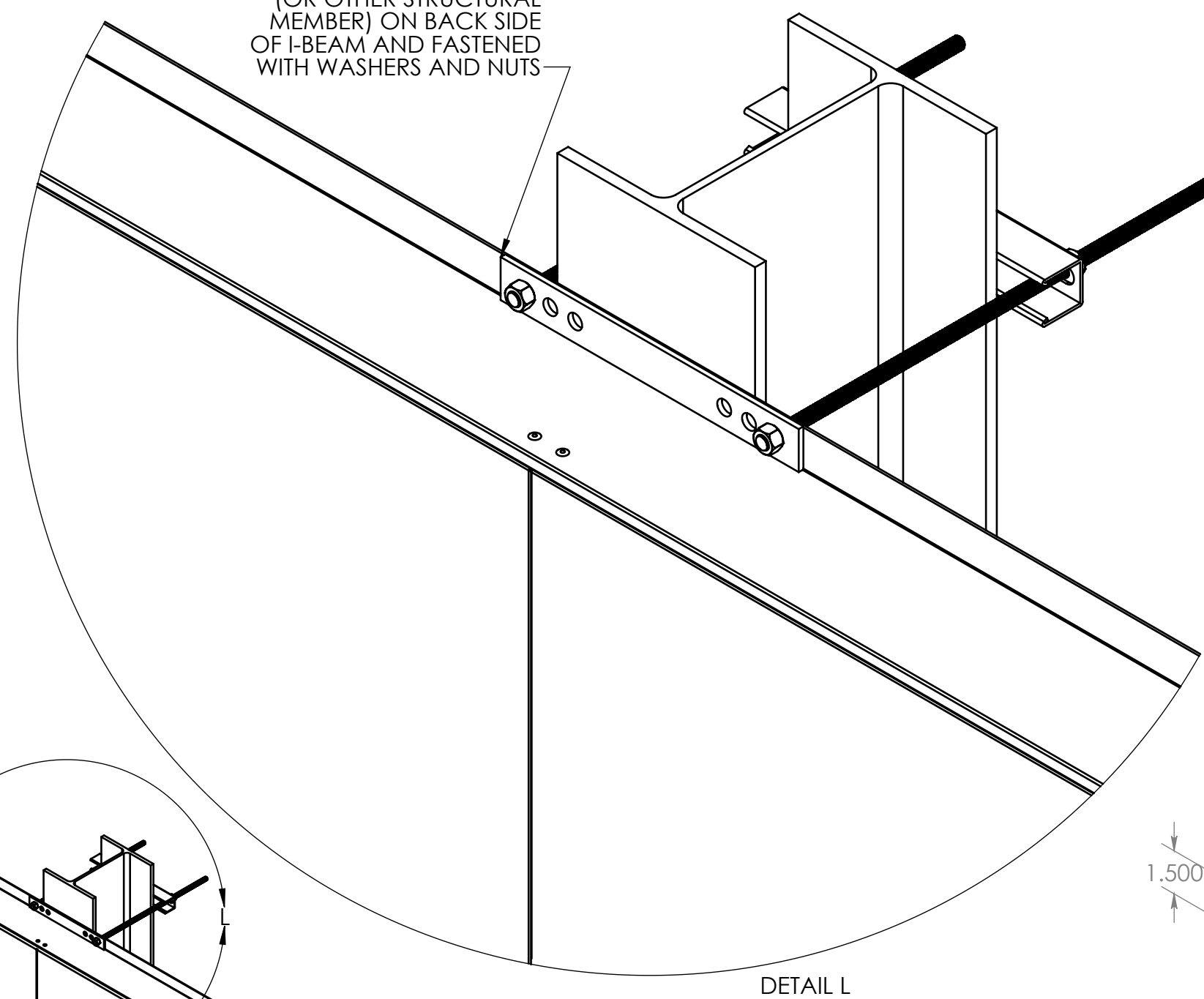
FRONT VIEW
FACES REMOVED FOR CLARITY



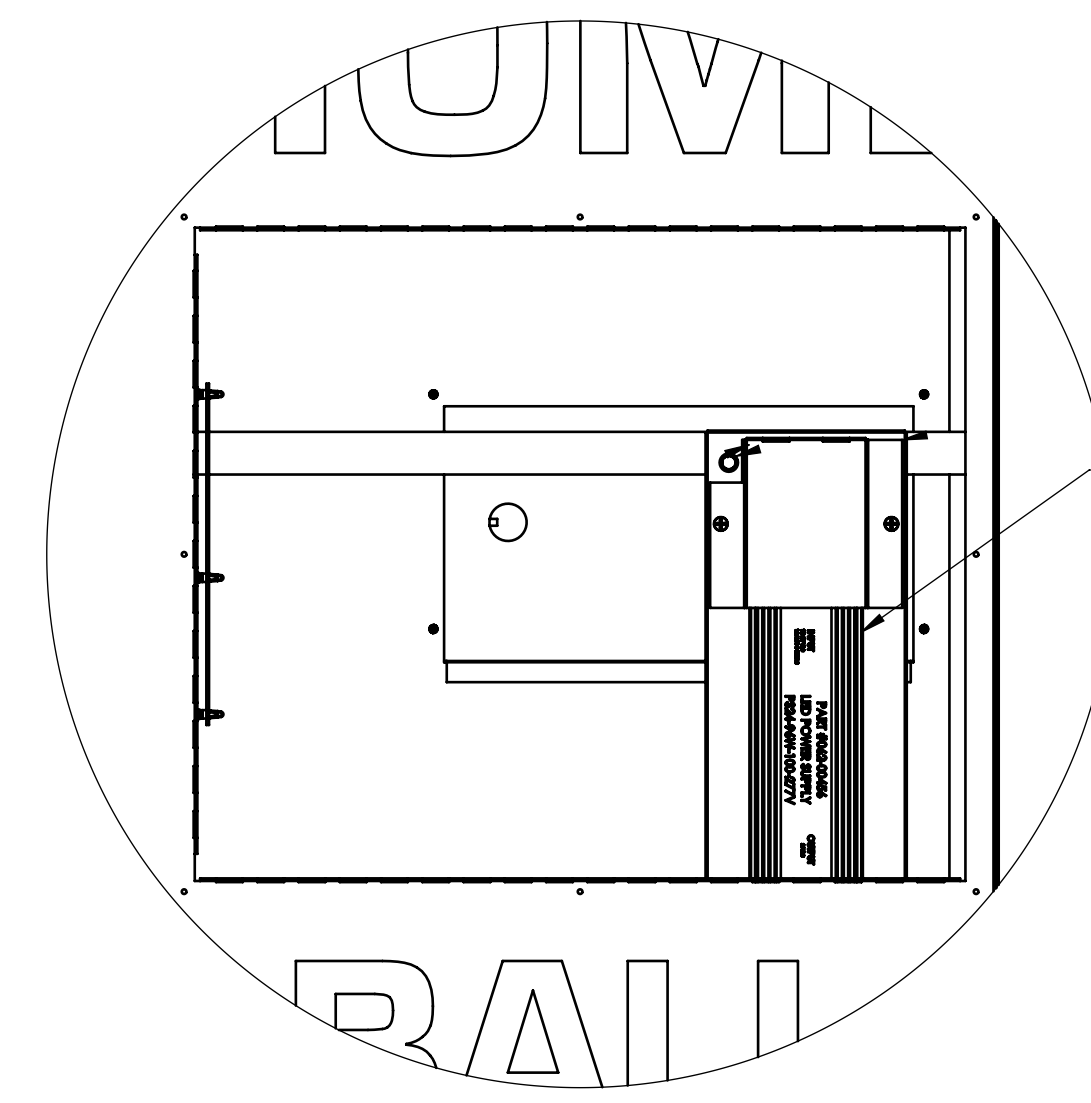
OPTION A - INCLUDED
STEEL BAR BACKED BOLTS DIRECTLY DRILLED INTO I-BEAM AND BACKED WITH NUTS.

OPTION B - NON-STANDARD - ADDITIONAL PARTS REQUIRED

STEEL BAR BACKED THREADED ROD GOING AROUND I-BEAM AND BACKED WITH UNISTRUT (OR OTHER STRUCTURAL MEMBER) ON BACK SIDE OF I-BEAM AND FASTENED WITH WASHERS AND NUTS.



DETAIL L

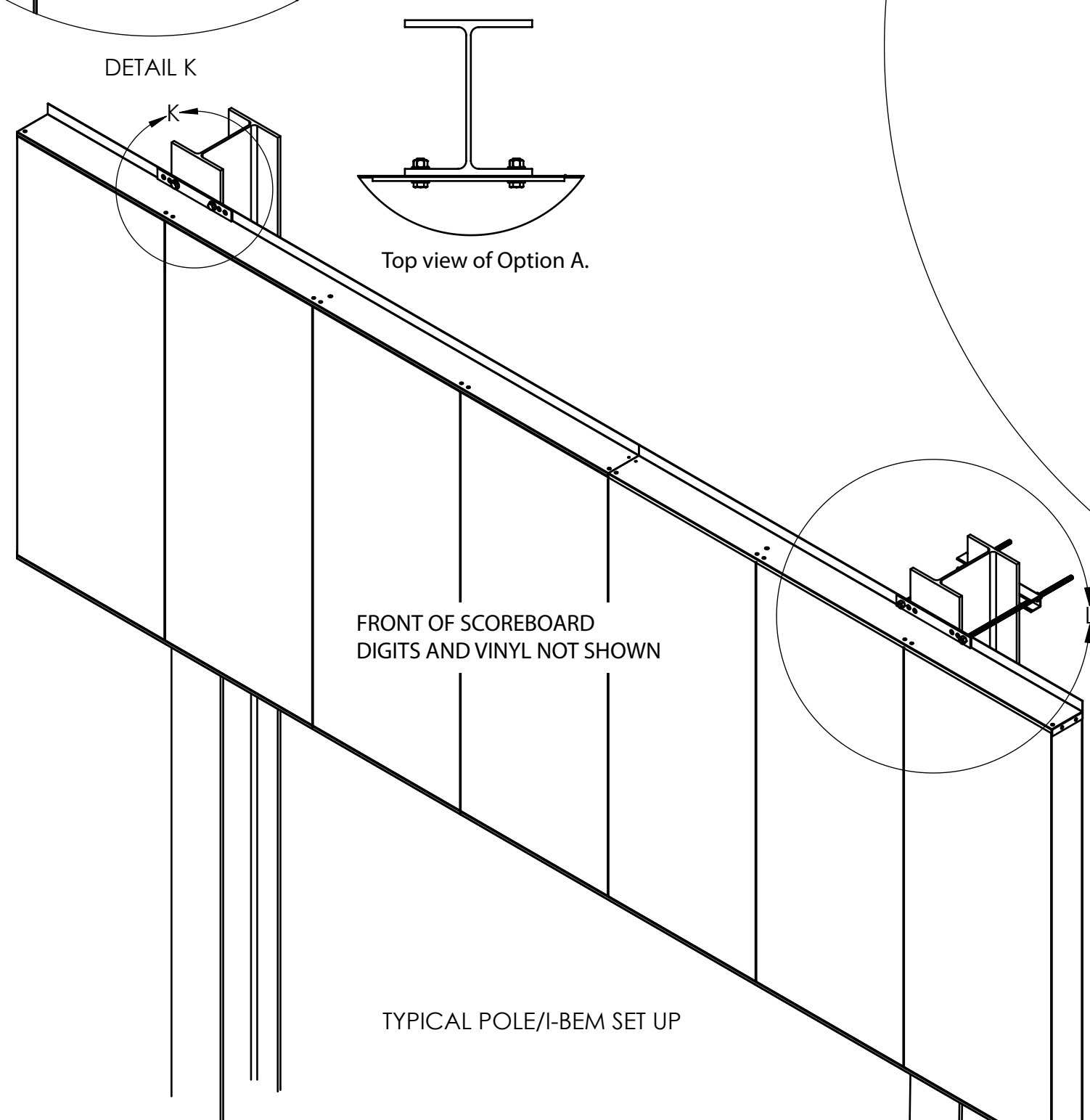


DETAIL C
WITH DIGIT PANEL REMOVED FOR CLARITY

PWRSPLY, 24V, .96W, GLED 062-00456

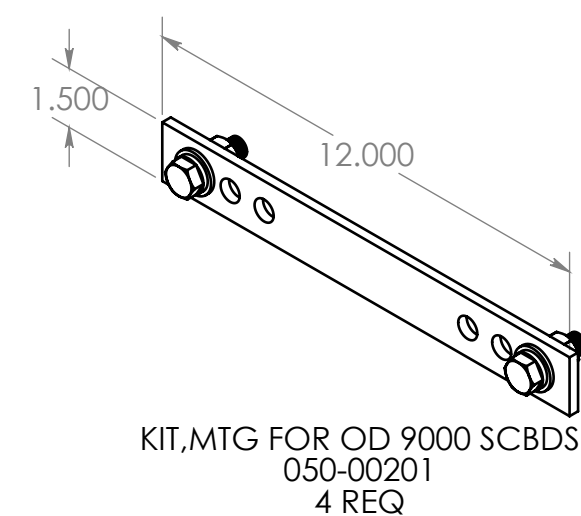
SCOREBOARD SPECIFICATIONS

OVERALL DIMENSIONS OF SIGN:
 HEIGHT: 48.000"
 WIDTH: 72.000"
 DEPTH: 5.000"
 EST. WEIGHT: 100.360
 AREA OF SIGN - SQUARED: 24.0 SQ.FT.
 POWER SUPPLY: (1) 24V / 96W POWER SUPPLIES
 INPUT: 100-277 VAC 1.2 AMPS
 OUTPUT: 24VDC 96 WATTS MAX
 (1) 20 AMP CIRCUIT, 60Hz UL 48 & NEC COMPLIANT
 SIGN IS TO BE MANUFACTURED TO UL 48 SPECIFICATIONS.
 MAXIMUM DESIGN WINDLOAD: 35 PSF
 SIGN WILL BE SERVICEABLE BY REMOVING THE HOME SCORE FACE TO ACCESS ELECTRICAL COMPONENTS.



FRONT OF SCOREBOARD DIGITS AND VINYL NOT SHOWN

TYPICAL POLE/I-BEM SET UP



ATTENTION: STEEL BAR REQUIRED FOR STRUCTURAL INTEGRITY.

ALL WIRING AND ELECTRICAL CONNECTIONS ON THIS DISPLAY MUST BE INSTALLED IN ACCORDANCE WITH THE REQUIREMENTS OF ARTICLE 600 OF THE NATIONAL ELECTRICAL CODES AND/OR OTHER APPLICABLE LOCAL CODES. THIS INCLUDES PROPER GROUNDING AND BONDING OF THE DISPLAY.

Installation Guidelines	
ORD	FILE
<p>401 South Main St. P.O. Box 100 Pardeeville, WI 53954 608-429-2121</p>	
<p>These drawings are the exclusive property of Everbrite, Inc. Use of, or duplication in any manner without express written permission of Everbrite, Inc. is prohibited.</p>	
TITLE	BA9061
DRN	DT
SCALE	DRWG NR
ORD	DT

REV
A